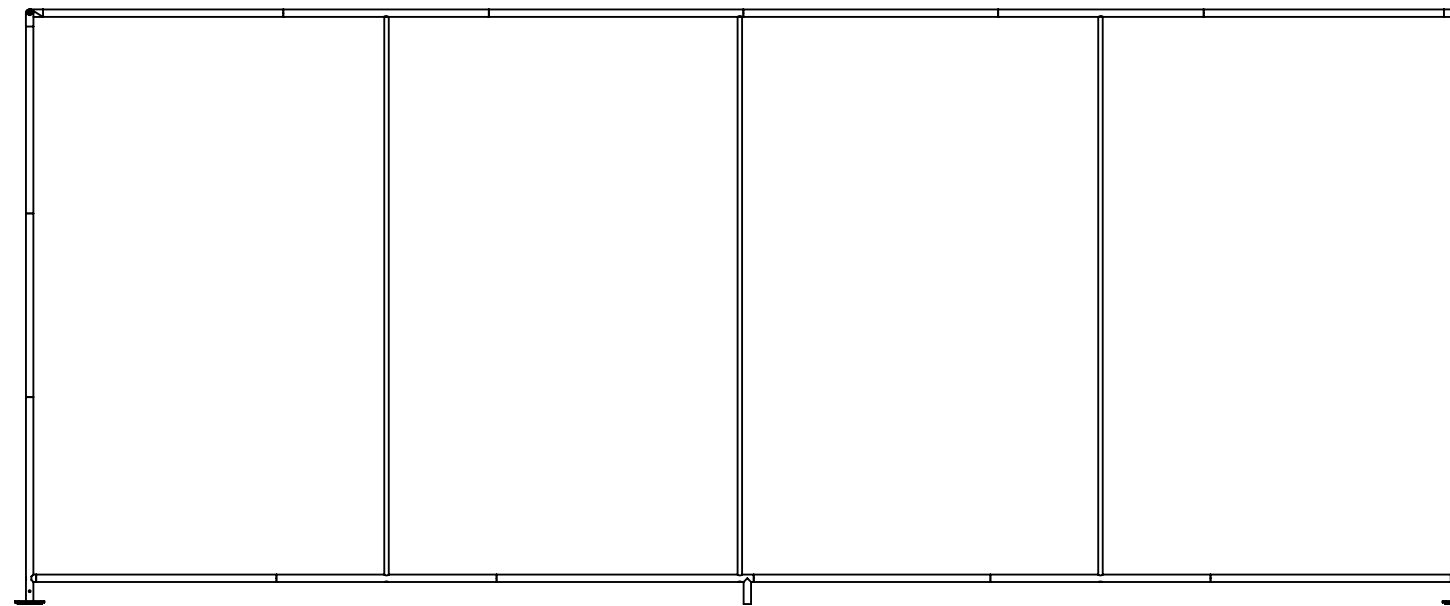
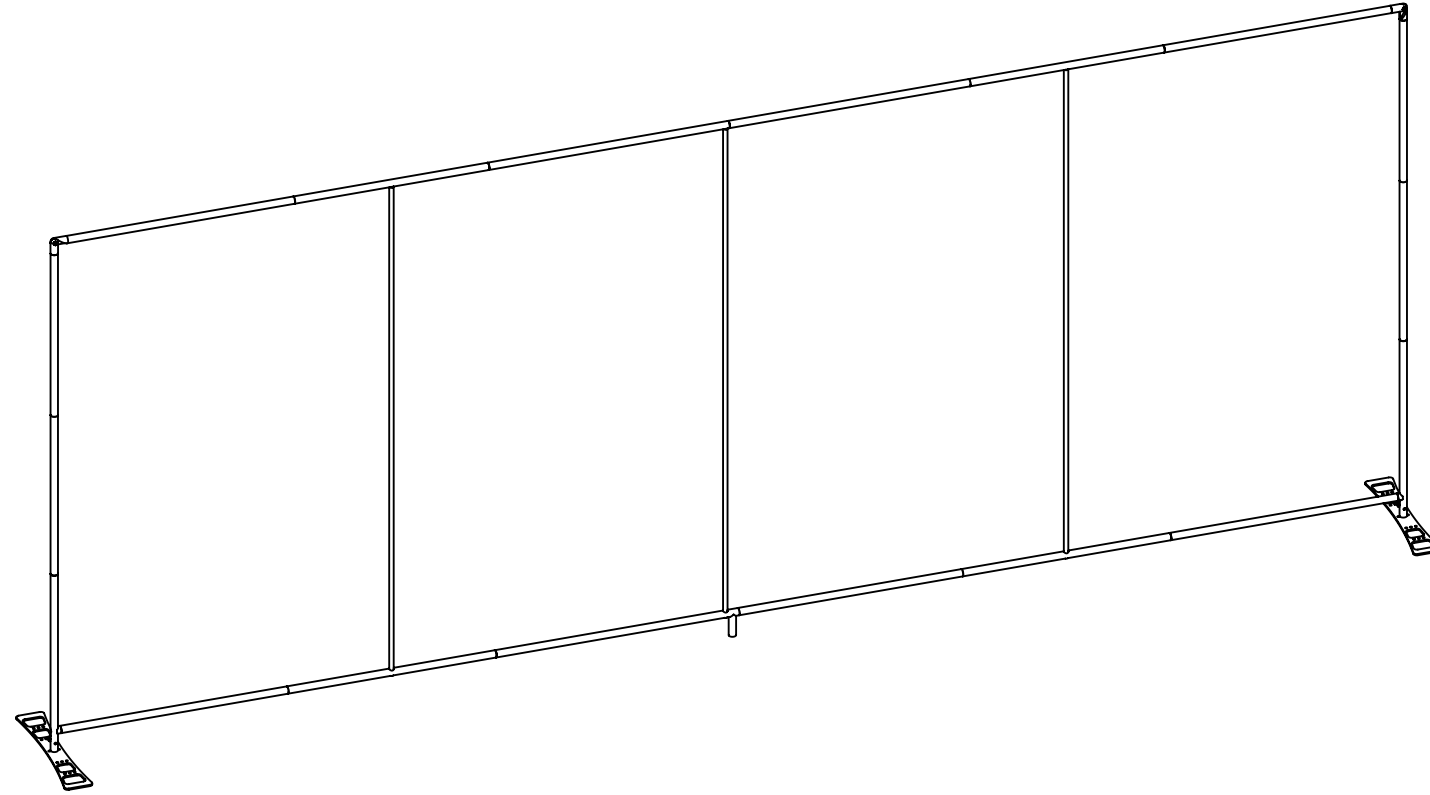


PG #	NAME	QTY
1	COVER	-
2	COMPLETE ASSEMBLY	1
3	PART DETAILS	-
4	TENSION FABRIC SRUCTURE CONNECTORS	-
5	ASSEMBLY INFORMATION	-



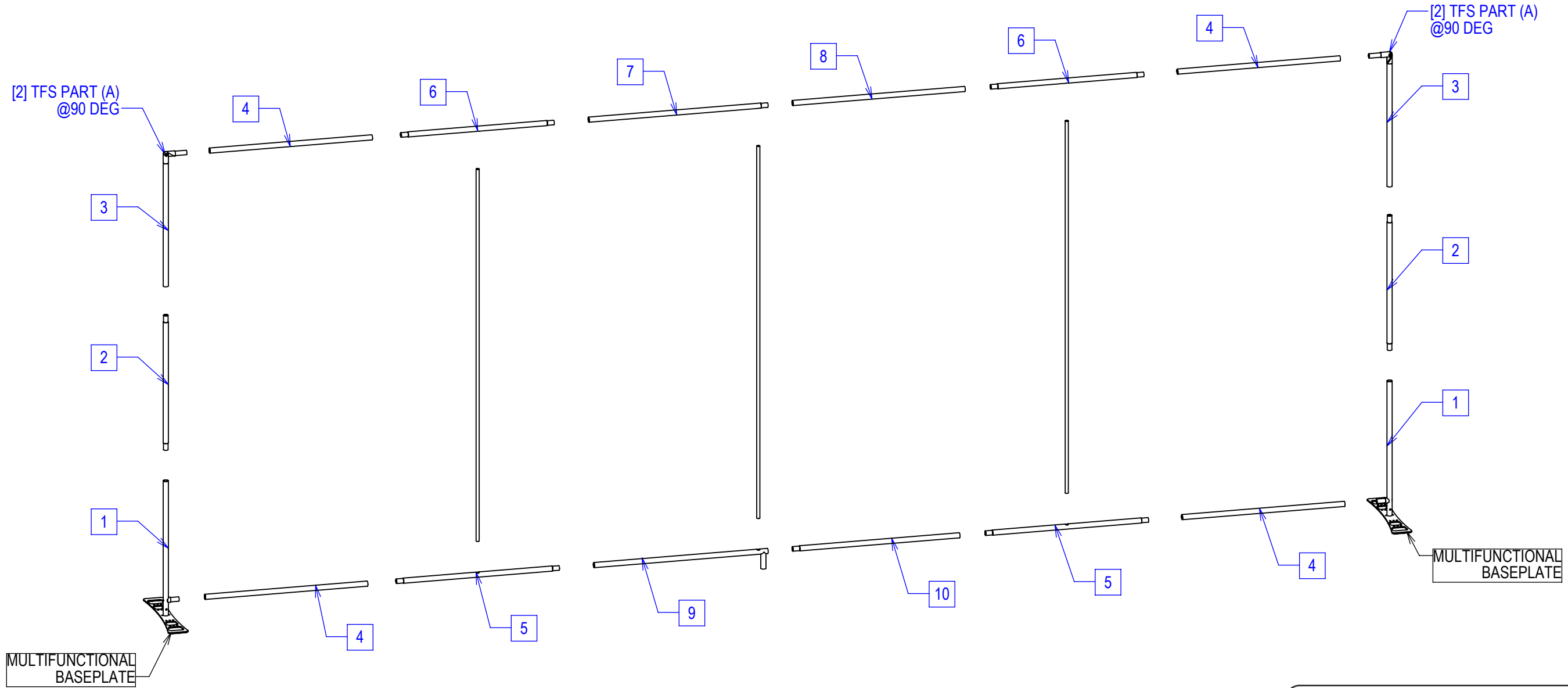
**SETUP INS.**

STATUS 10/24/2017 CHECKED BY

001	INITIAL RELEASE	6/01/2017	NA
REV	DESCRIPTION	DATE	BY

*	*	<b>DESCRIPTION</b> 20' FABLITE BUILD DETAILS	
*		<b>CLIENT</b> --	<b>PROJECT</b> --
		<small>TOLERANCES UNLESS OTHERWISE NOTED</small>	<small>SALES</small>
		±.031 LINEAR	<small>DRAWN</small>
		±.5° ANGULAR	<small>PAGE</small> 1 OF 5

PART #	DESCRIPTION	QTY	FINISH	ADD. PARTS INCLUDED
1	809MM W/ BASEPLATE SCREW HOLE	2	-	[1] TFS CONNECTOR (C)
2	810MM	2	SWAGE 2 ENDS	-
3	741MM	2	-	[2] TFS CONNECTOR (A)
4	953MM	6	-	-
5	955MM W/ SUPPORT POLE HOLE	2	SWAGE 2 ENDS	-
6	897MM W/ SUPPORT POLE HOLE	2	SWAGE 2 ENDS	-
7	1050MM W/ SUPPORT POLE HOLE	1	SWAGE - 1 END	-
8	1010MM	1	-	-
9	1019.25MM W/ FOOT + SUPPORT POLE HOLE	1	-	-
10	979.25MM	1	SWAGE - 1 END	-

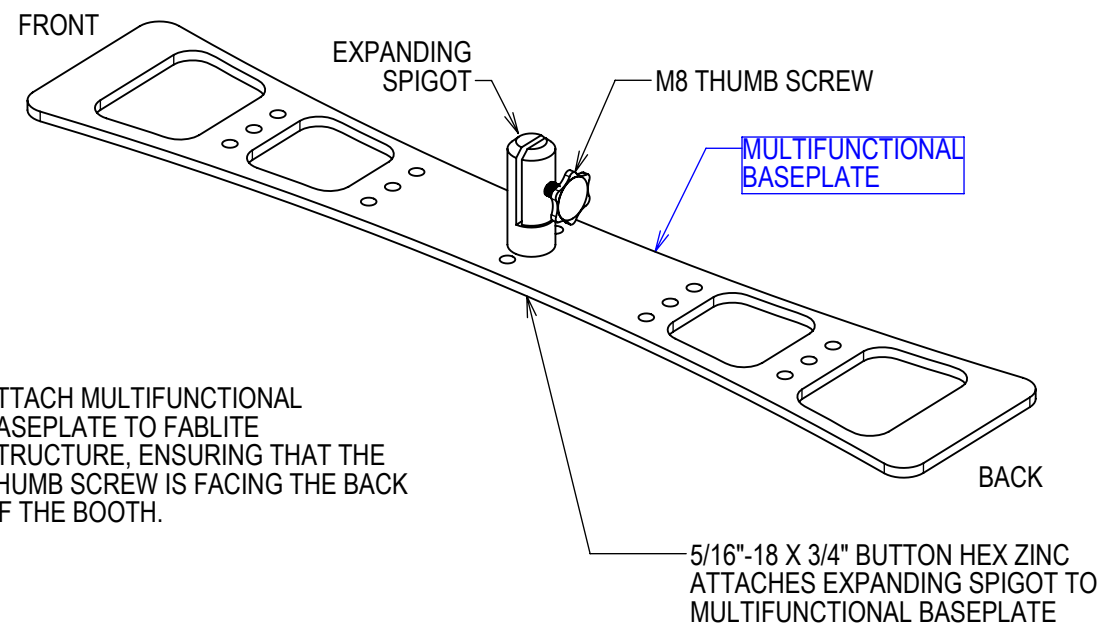
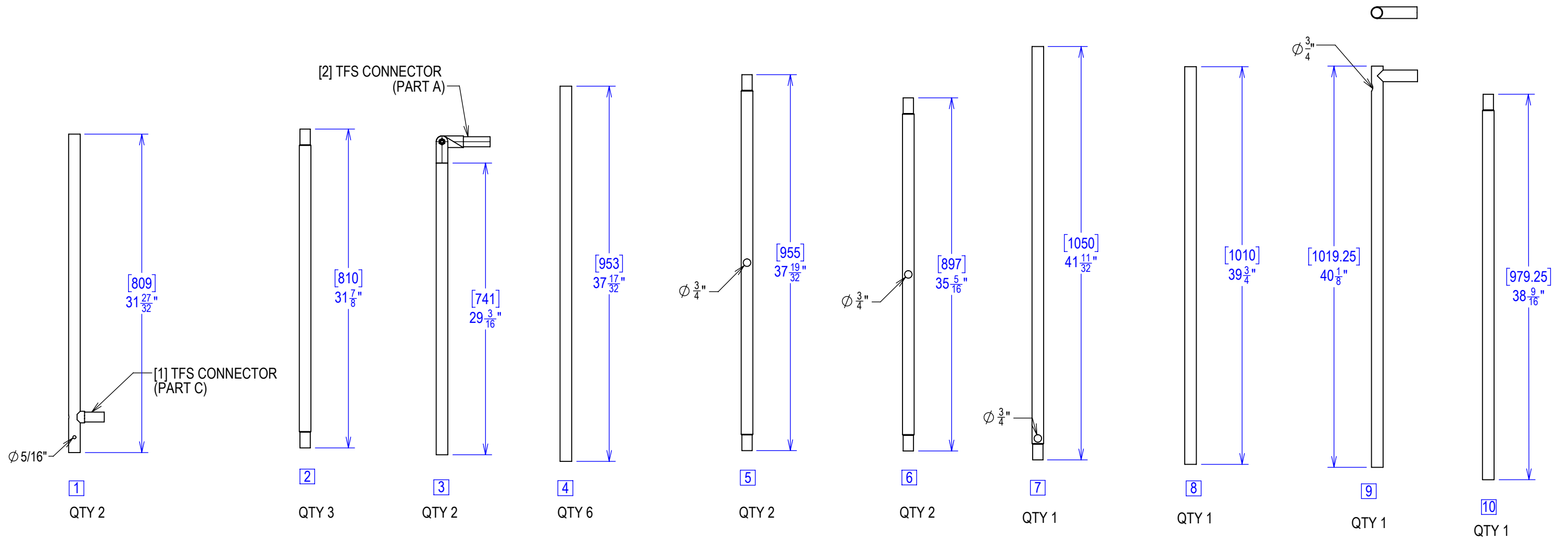


**SETUP INS.**

STATUS: ACTIVE DATE: 10/24/2017 | CHECKED BY: \_\_\_\_\_

1-REQ'D	COMPLETE ASSEMBLY	DESCRIPTION 20' FABLITE BUILD DETAILS	
		CLIENT --	PROJECT --
		TOLERANCES UNLESS OTHERWISE NOTED	SALES
		±.031 LINEAR	DRAWN
		±.5° ANGULAR	PAGE 2 OF 5

001	INITIAL RELEASE	6/01/2017	NA
REV	DESCRIPTION	DATE	BY



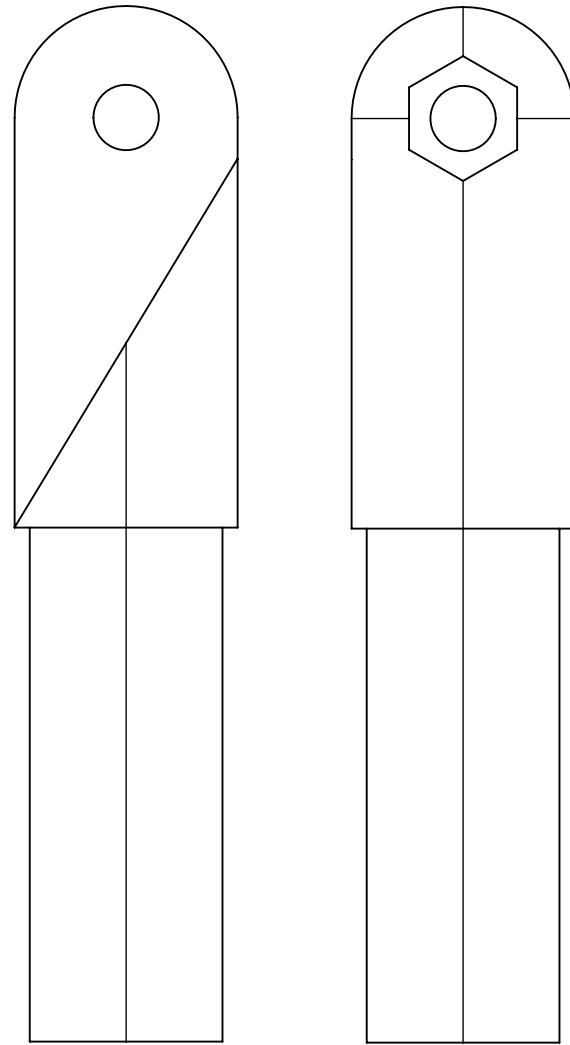
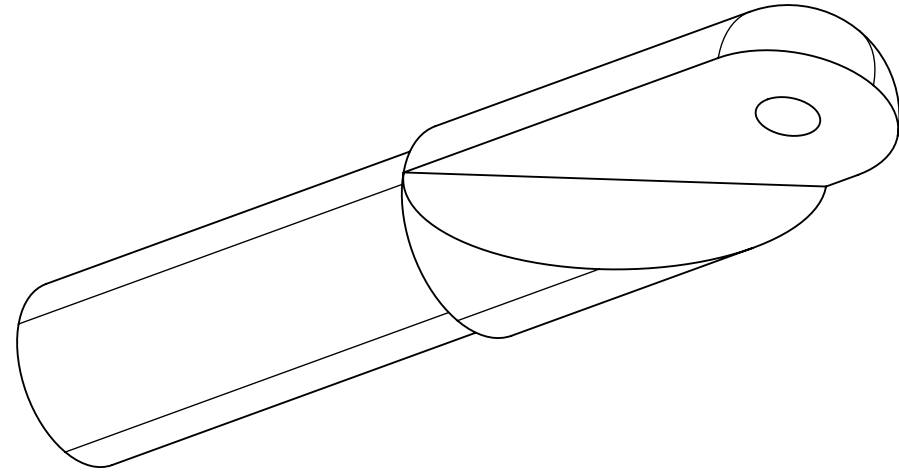
**SETUP INS.**

STATUS: ACTIVE DATE: 10/24/2017 CHECKED BY: \_\_\_\_\_

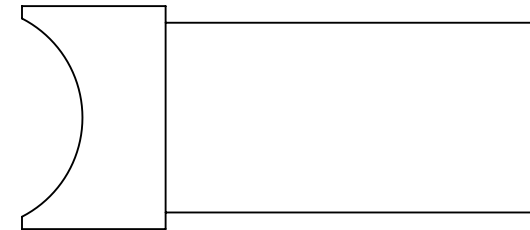
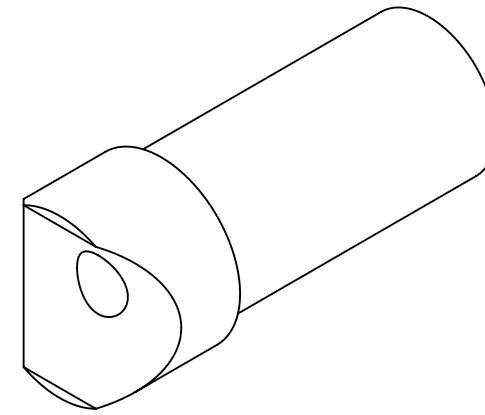
001	INITIAL RELEASE	6/01/2017	NA
REV	DESCRIPTION	DATE	BY

FABLITE PARTS		DESCRIPTION 20' FABLITE BUILD DETAILS	
		CLIENT --	PROJECT --
		TOLERANCES UNLESS OTHERWISE NOTED	SALES
		±.031 LINEAR	DRAWN
		±.5° ANGULAR	PAGE 3 OF 5

LAMINATION	
CNC	
MACHINE SHOP	X
RENTAL / STORAGE	
INSTAND PROD / MFG PREP	X
GRAPHICS	



TENSION FABRIC STRUCTURE CONNECTOR (PART A)



TENSION FABRIC STRUCTURE CONNECTOR (PART C)

**SETUP INS.**

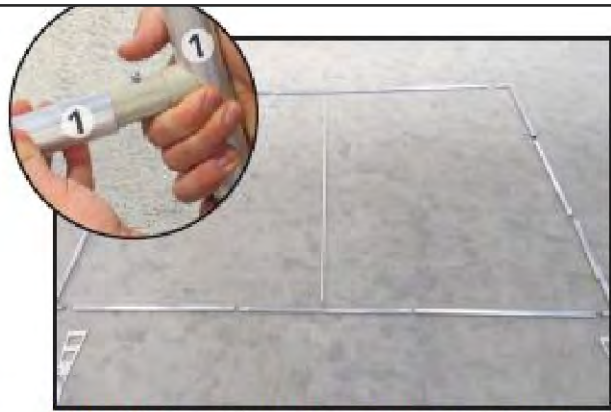
STATUS: ACTIVE DATE: 10/24/2017 CHECKED BY:

001	INITIAL RELEASE	6/01/2017	NA
REV	DESCRIPTION	DATE	BY

TENSION FABRIC STRUCTURE CONNECTORS		DESCRIPTION 20' FABLITE BUILD DETAILS	
CLIENT --		PROJECT --	
TOLERANCES UNLESS OTHERWISE NOTED		SALES	
±.031 LINEAR		DRAWN	
±.5° ANGULAR		PAGE 4 OF 5	



Lay out all parts.



Align like numbers in sequence. Align #1 to #1 and #2 to #2 and so on.



Insert tube until button lock engages.



Continue matching all numbers in the sequence.



Insert support pole into TOP and BOTTOM of the frame.



Slide graphic over the frame.



Zip graphic at the bottom.



Attaching the feet, remove the thumb screw. Squeeze and insert. Repeat for other foot.



Secure with thumb screw.



Add lighting. Tighten clamp on lighting.



Insert power cord.



Lift up the display.

# SETUP INS.

STATUS: ACTIVE DATE 10/24/2017

CHECKED BY

## FABLITE ASSEMBLY DETAILS

## DESCRIPTION 20' FABLITE BUILD DETAILS

CLIENT	--	PROJECT	--
	TOLERANCES UNLESS OTHERWISE NOTED	SALES	
	±.031 LINEAR	DRAWN	
	±.5° ANGULAR	PAGE	5 OF 5

001	INITIAL RELEASE	6/01/2017	NA
REV	DESCRIPTION	DATE	BY