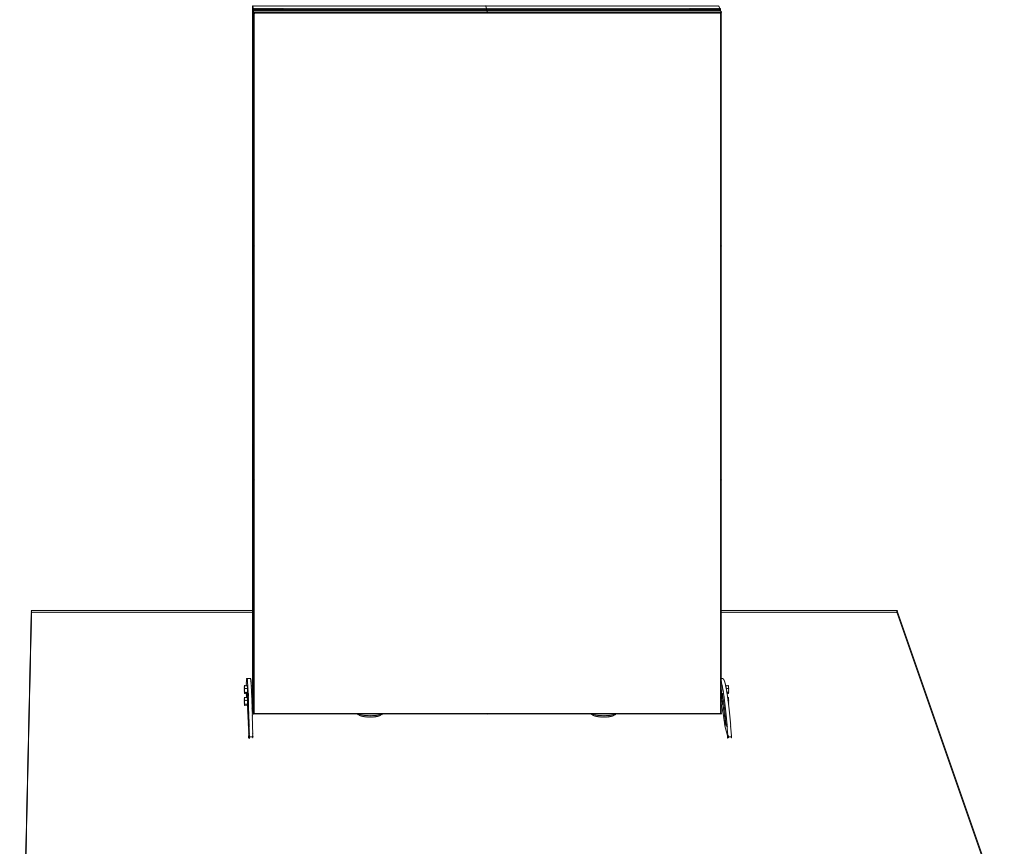
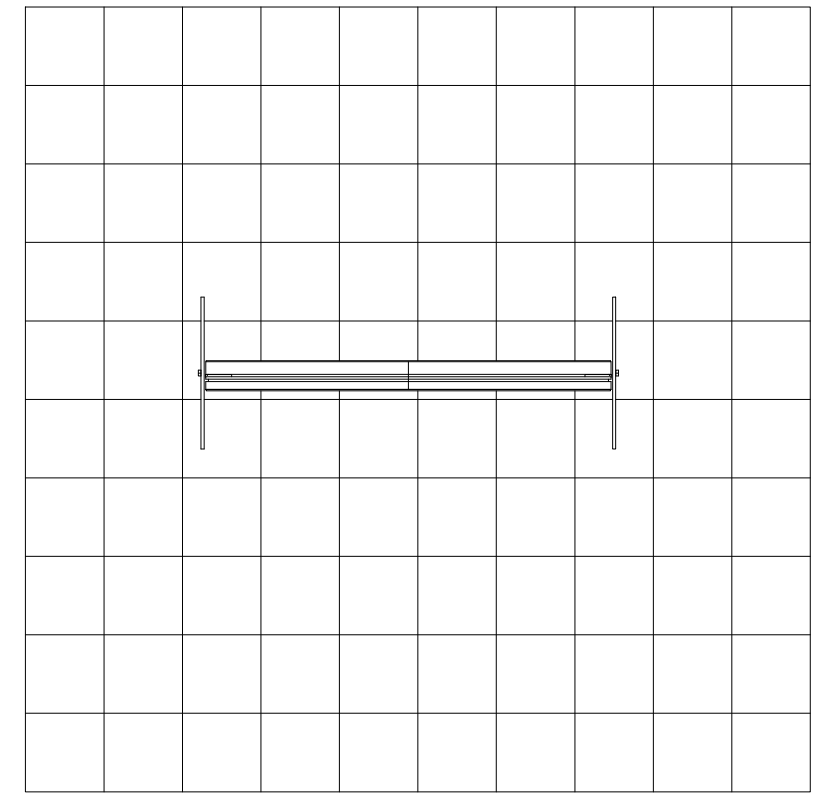
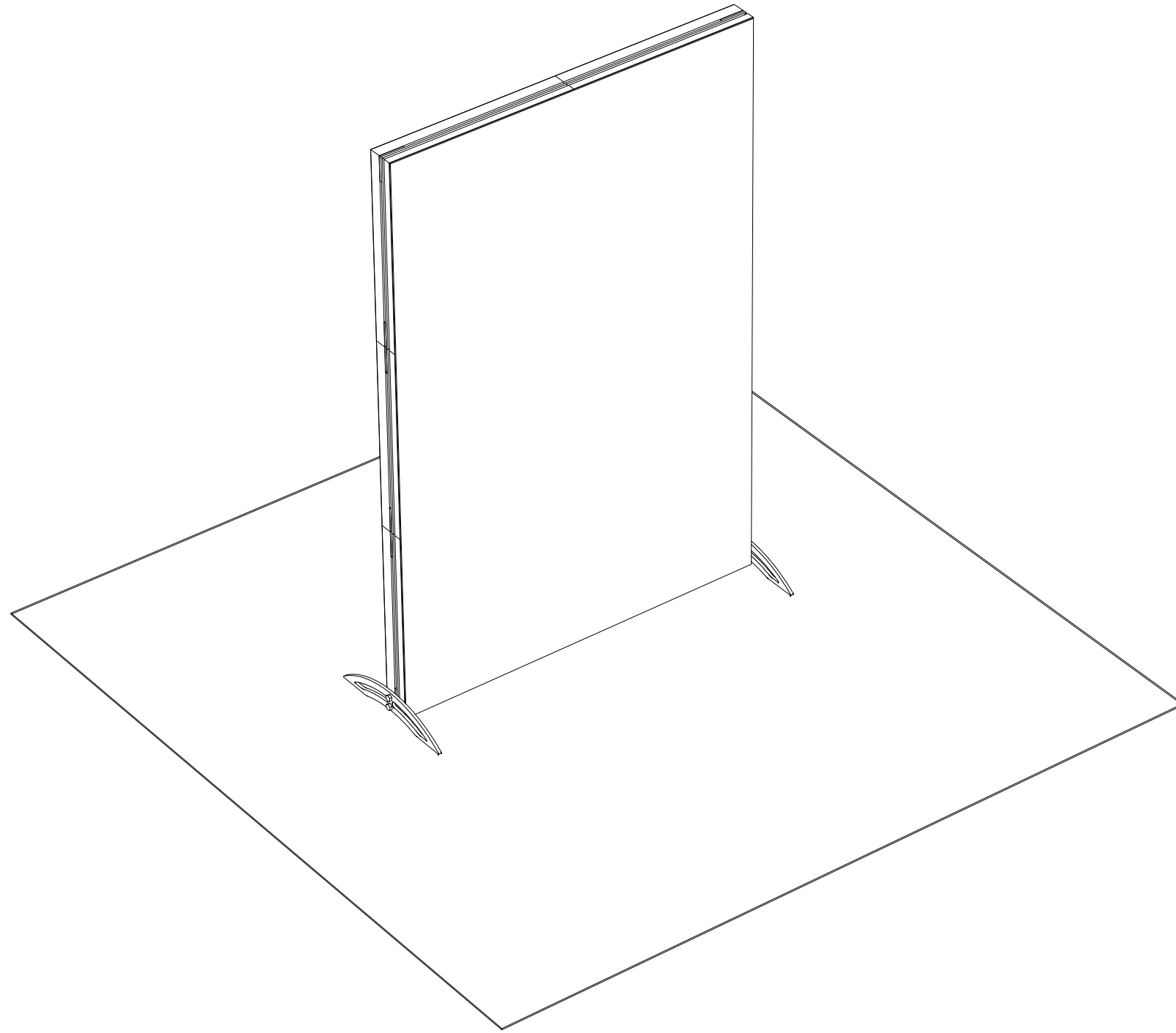


# 5FT. Light Wall



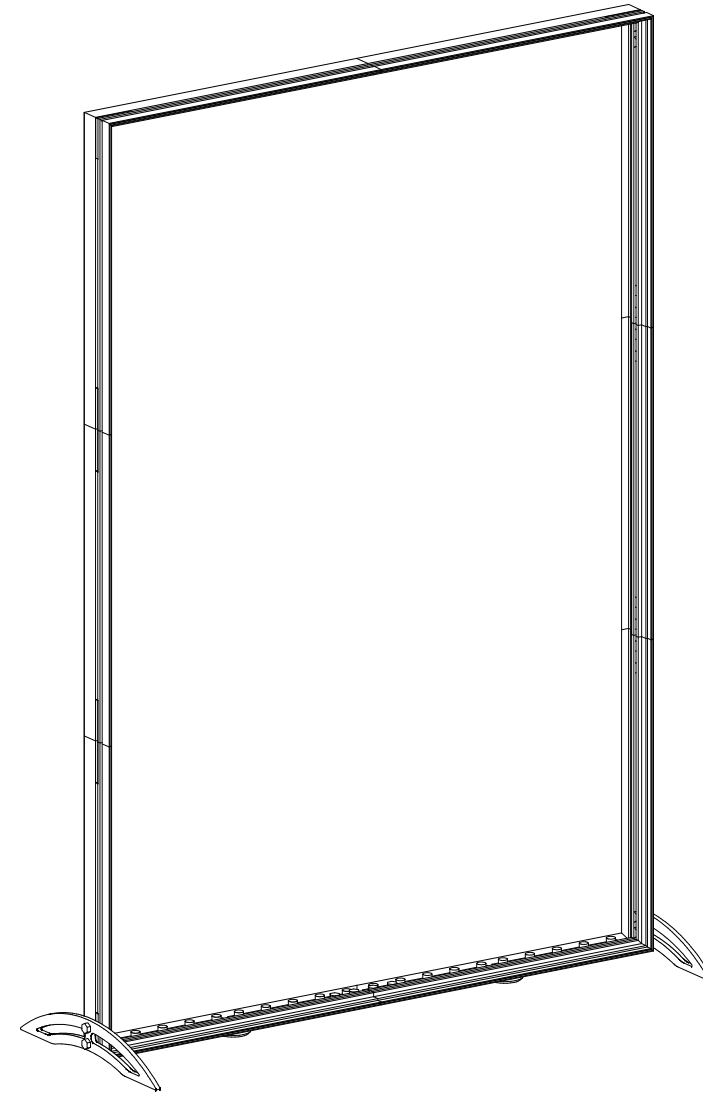
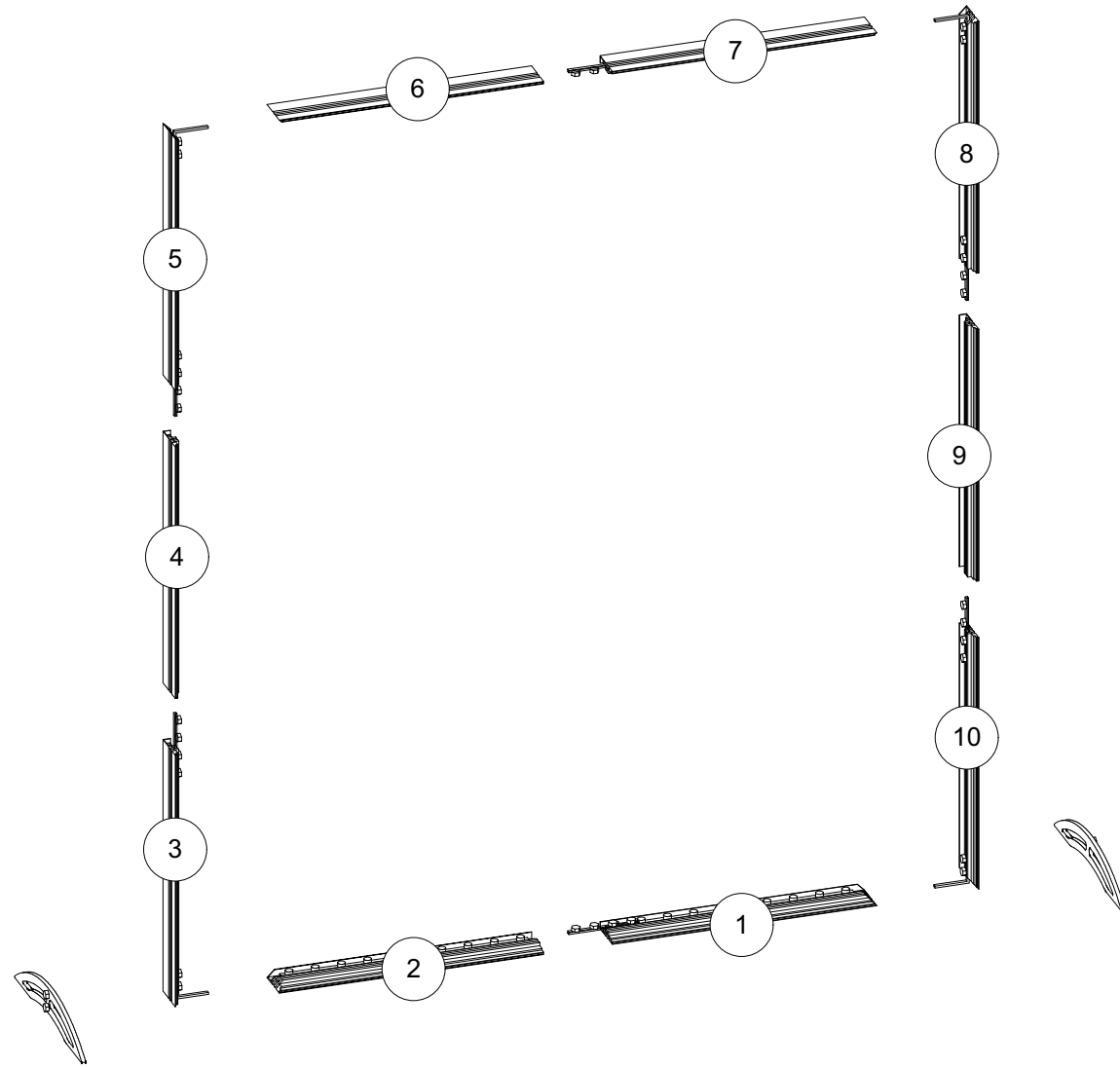
**SET UP INSTRUCTION**

# Exploded 5FT. Lightwall Frame

## Mechanical Legend

\*Remove Light extrusion components from it's packing case and layout on your floor space in numerical sequence.  
\*Use your provided Thumb screw wrench (*Figure A1*) to assemble the frame together. Your wrench can be found in your care kit bag.

Fig. A1



# Frame Setup Instructions 1

## Mechanical Legend



Connect middle extrusion and tighten 2 thumb screws.



Remove LED connection from the clips. Connect the two ends and stow back into the clips



Attach baseplate to extrusion with mitre edge and pre-installed threads. Secure with thumb screws.



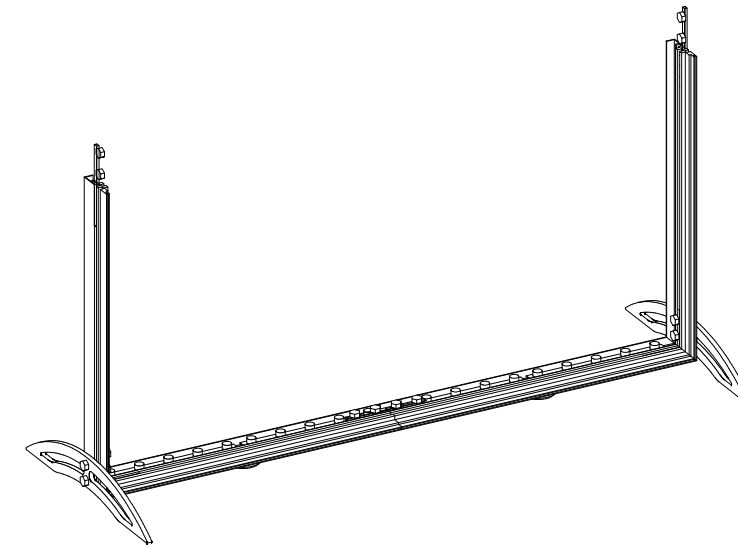
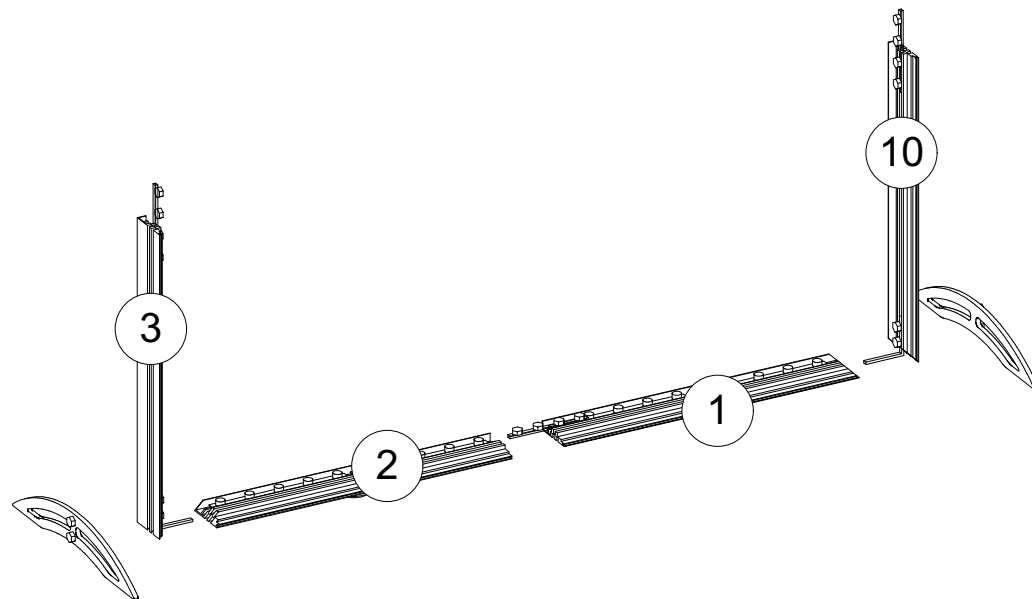
Connect extrusion assembly onto L-Bracket and tighten thumb screws.



(4) Thumb Screws



**\*Important\***  
See that all LED connections are stowed in clips to prevent damage from mitre edges.



# Frame Setup Instructions 2

## Mechanical Legend



Insert CSS halfway into middle left extrusion and tighten 2 thumb screws.



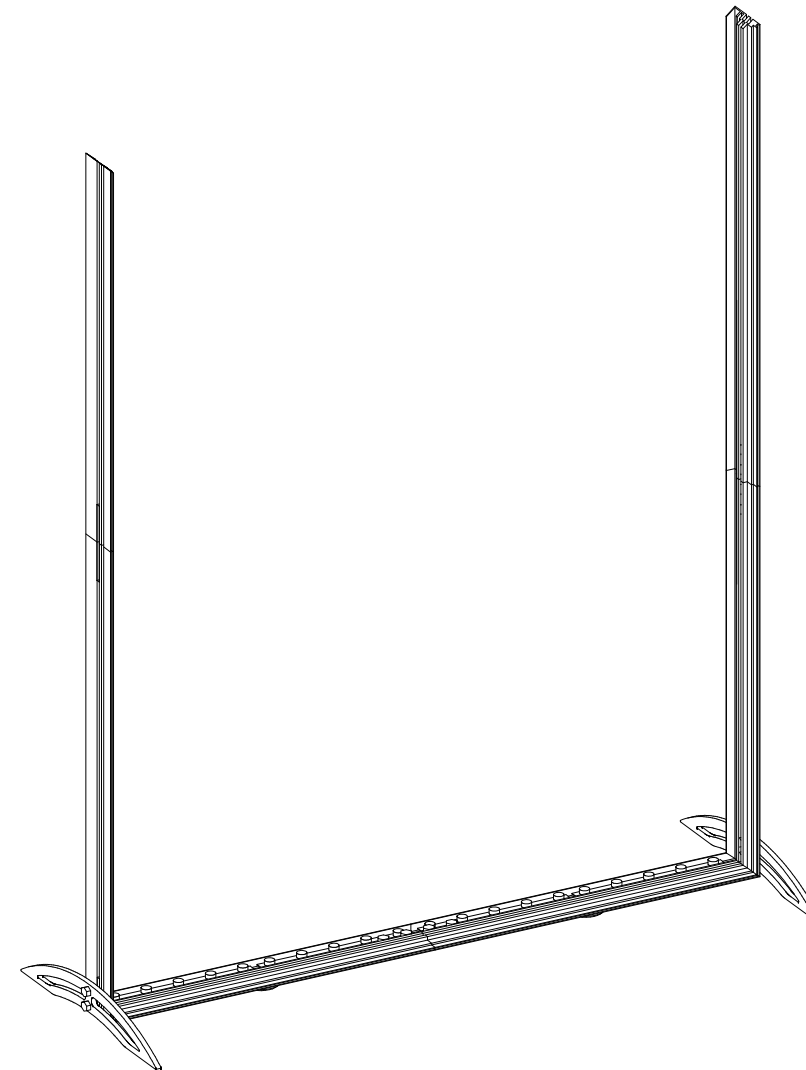
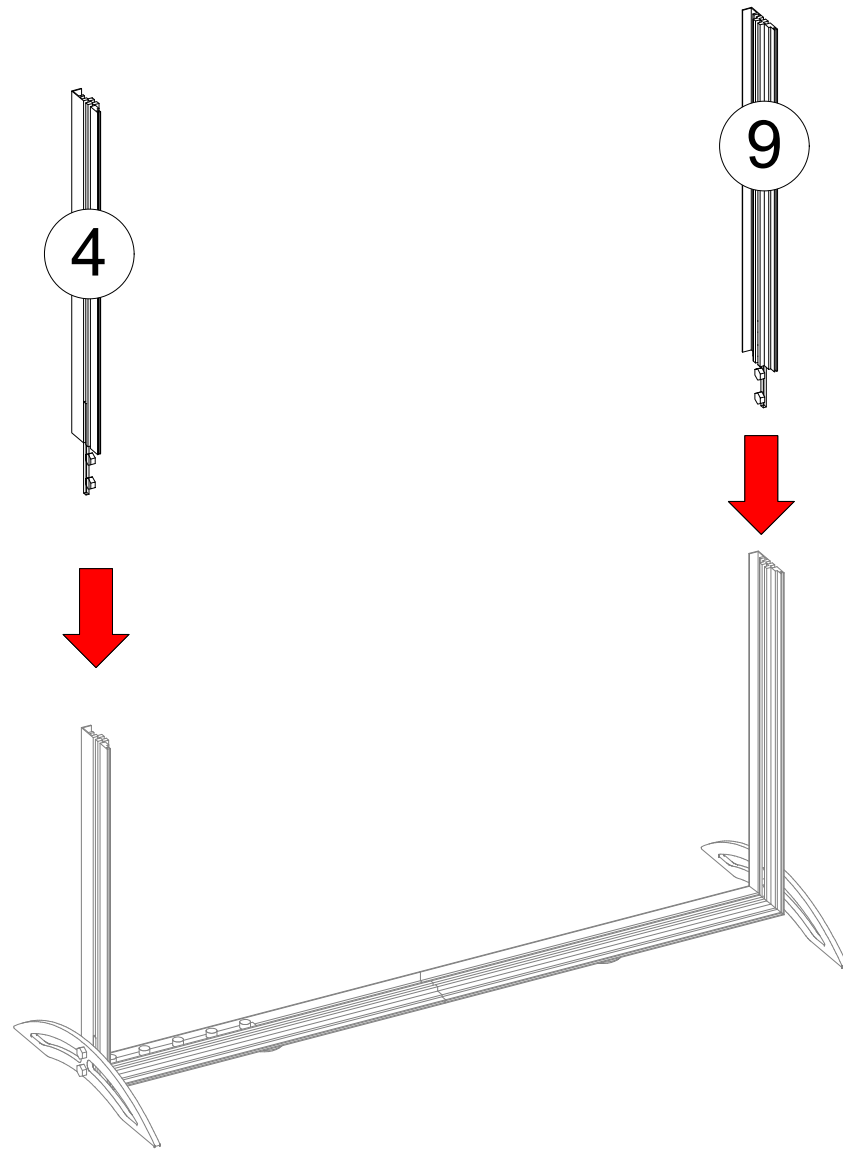
Connect middle left extrusion and tighten 2 thumb screws.



Insert CSS halfway into middle right extrusion and tighten 2 thumb screws.



Connect middle right extrusion and tighten 2 thumb screws.



# Frame Setup Instructions 3

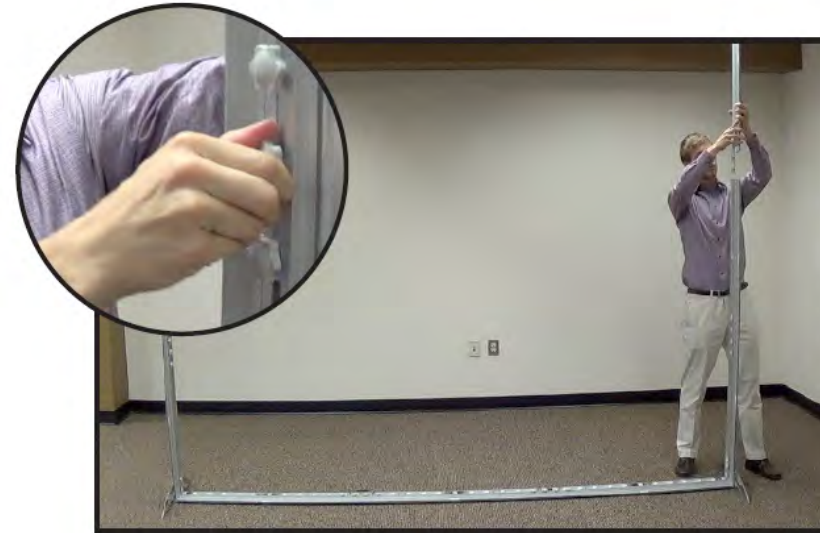
## Mechanical Legend



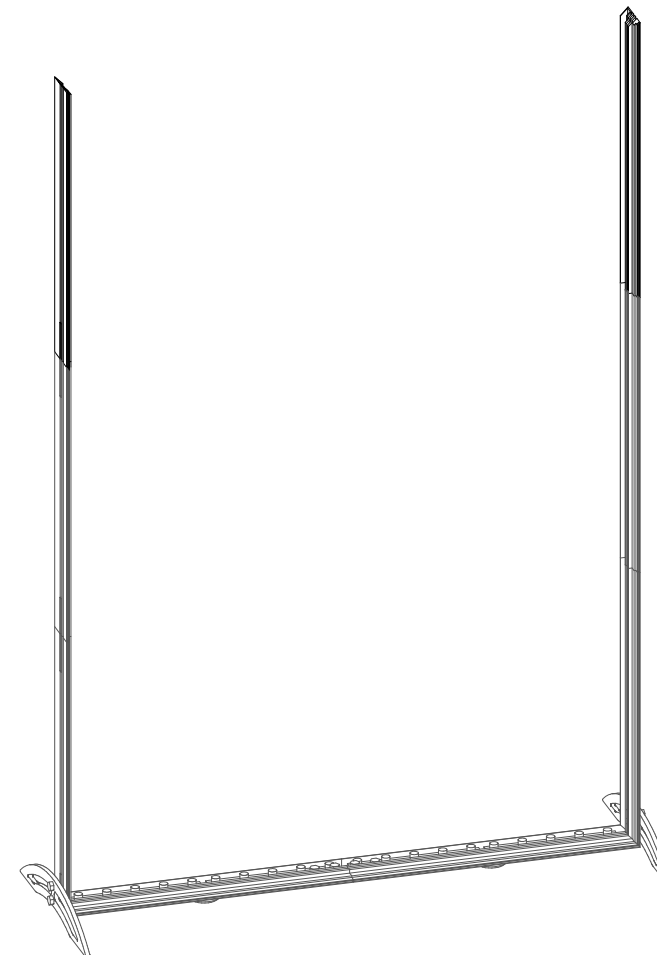
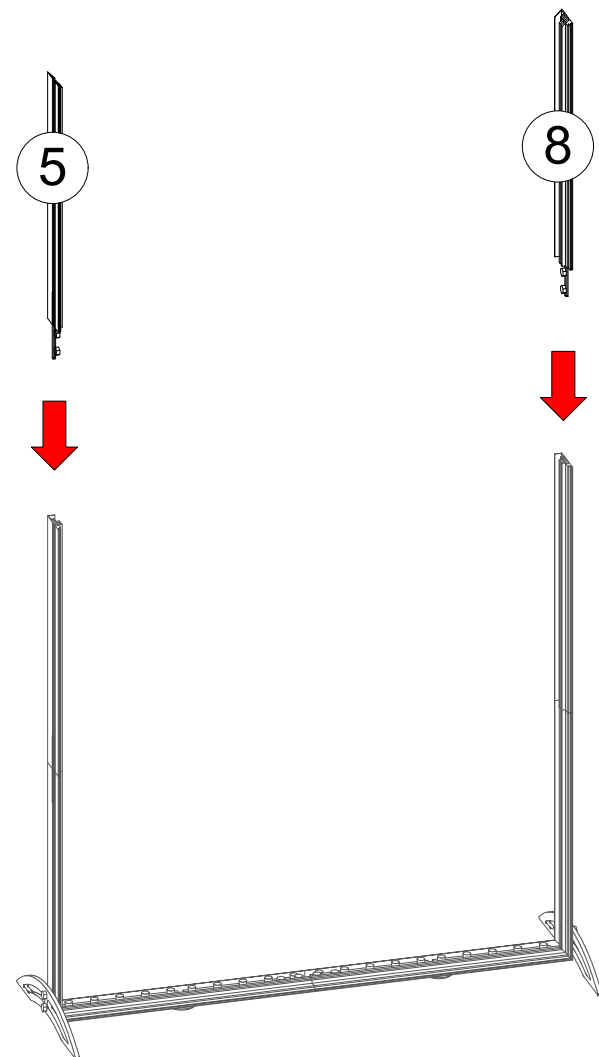
Connect upper left extrusion and tighten 2 thumb screws.



Insert CSS halfway into upper right extrusion and tighten 2 thumb screws. Mitre edge will be on top.



Connect upper right extrusion and tighten 2 thumb screws.



# Frame Setup Instructions 4

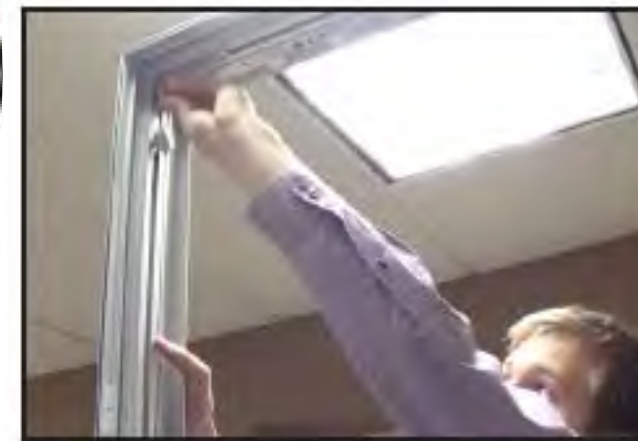
## Mechanical Legend



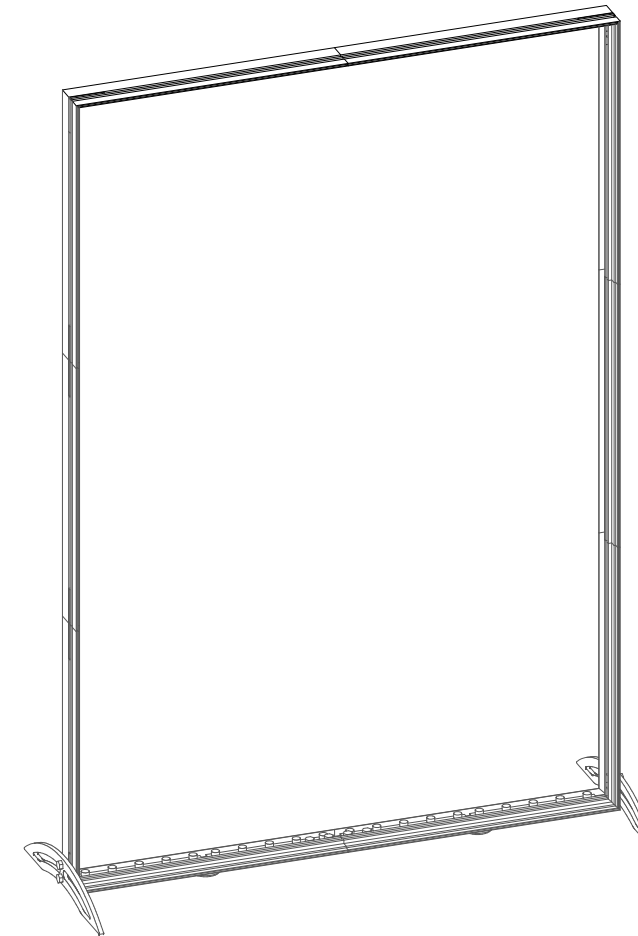
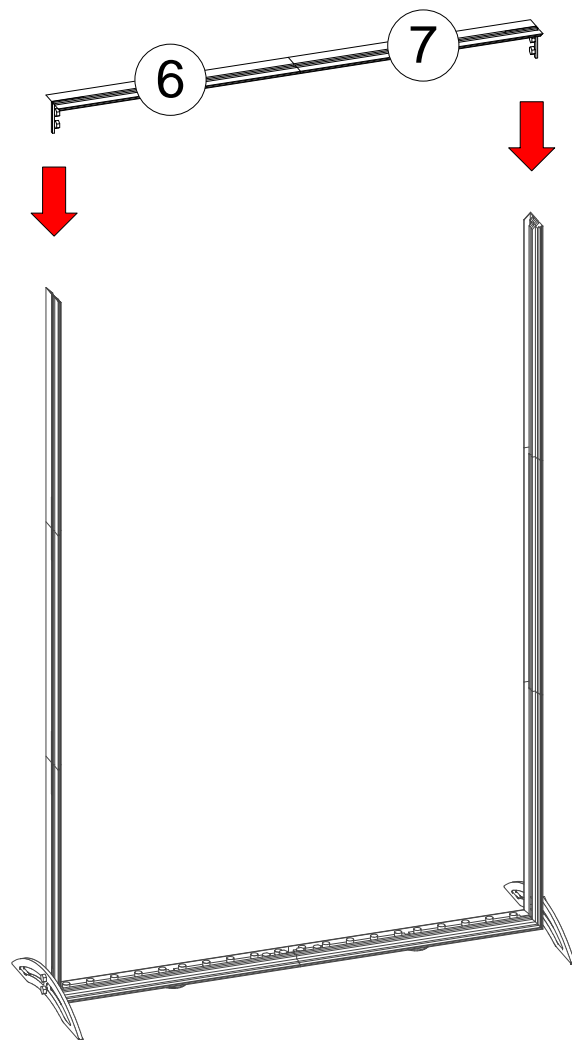
Connect bottom extrusions (Part 6 & 7) and tighten 2 thumb screws.



Remove LED connection from the clips. Connect the two ends and stow back into the clips.

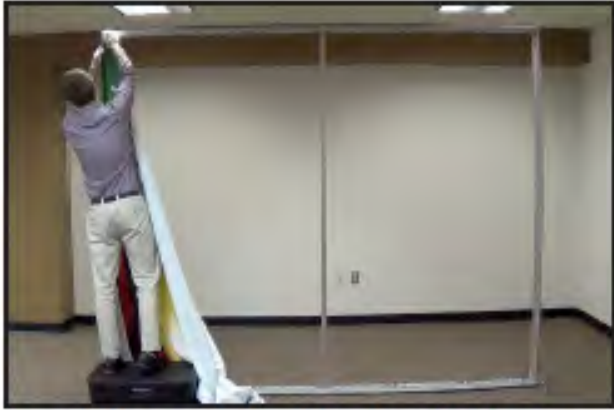


Tighten 2 thumb screws.



# Graphic Setup Instructions

## Mechanical Legend



Insert Silicone Edge Graphic (SEG) into top left corner of the frame.



Insert SEG into top right corner.



Insert SEG into bottom right corner.



Insert SEG into bottom left corner.



Insert SEG into top center channel.



Insert SEG into bottom center channel.



Insert SEG into right middle channel.



Insert SEG into left middle channel.



Press the remaining SEG into the channel along the left side.



Press the remaining SEG along the bottom.



Press the remaining SEG along the right side.



Insert the remaining SEG along the top.

# White Blockout Liner & LED Light Setup Instructions

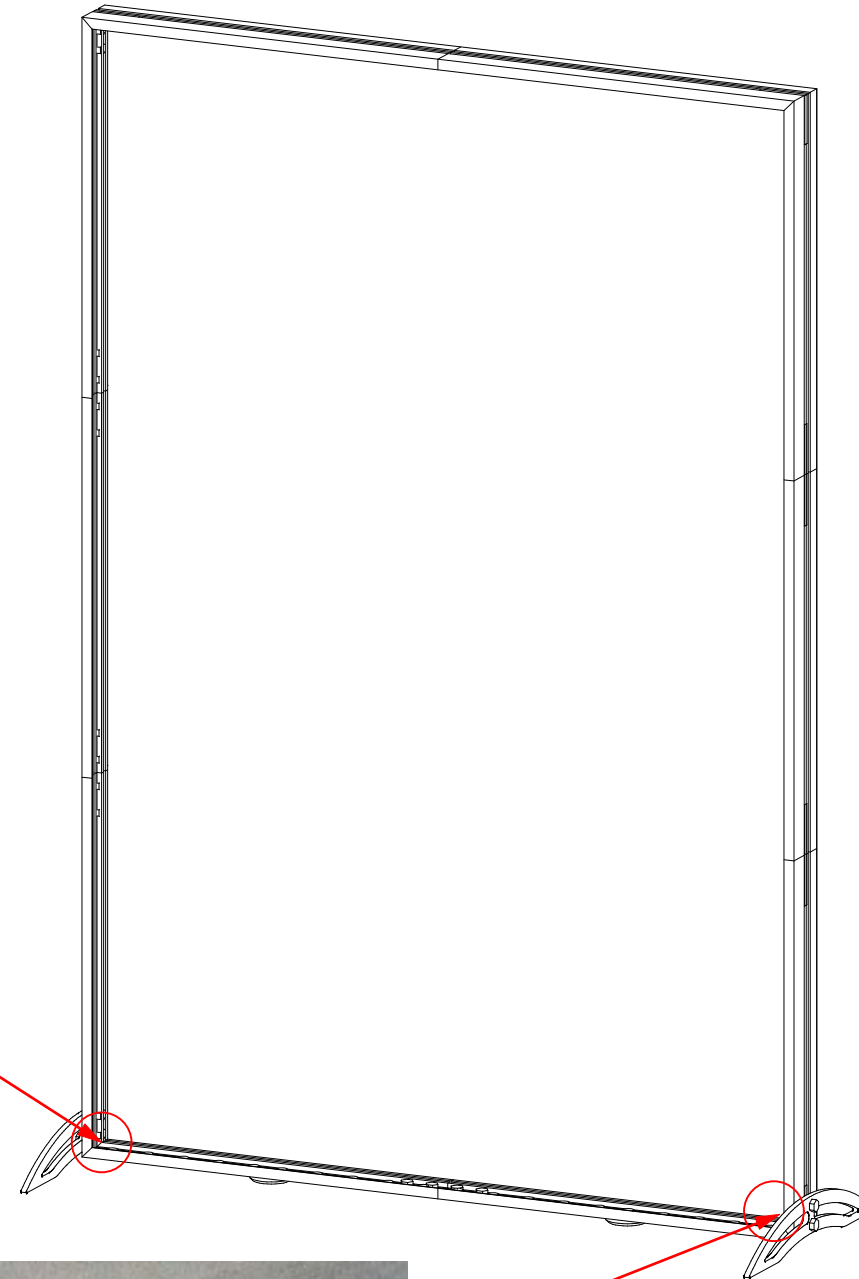
Refer to additional installation instruction page #8



Attach male LED driver cord to female light track cord together.



1 LED Cord Extension per Light Box





# LED Light Setup Instructions

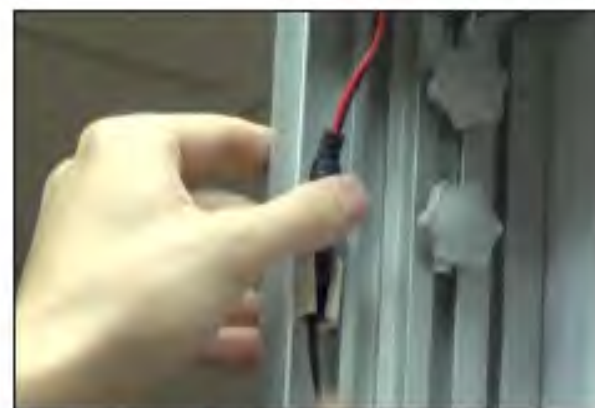
## Mechanical Legend



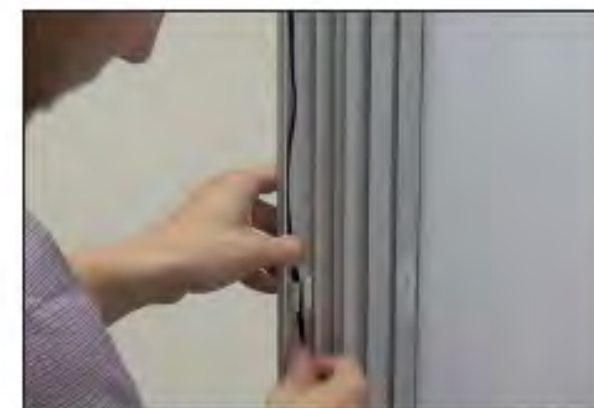
Remove 2 LED drivers and one cord extension.



Connect top LED connector to the cord extension.



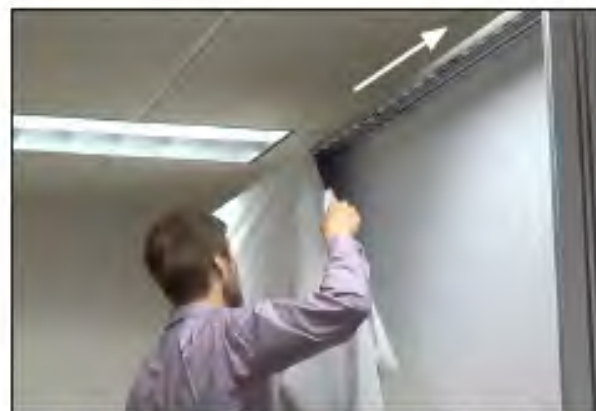
Stow connection back into clip.



Thread cord down the inside channel onto clips.



Disconnect cord extension from driver.



Attach backlit liner to the Velcro® on the top left corner of the frame. Continue to attach Velcro® along the top of the frame.



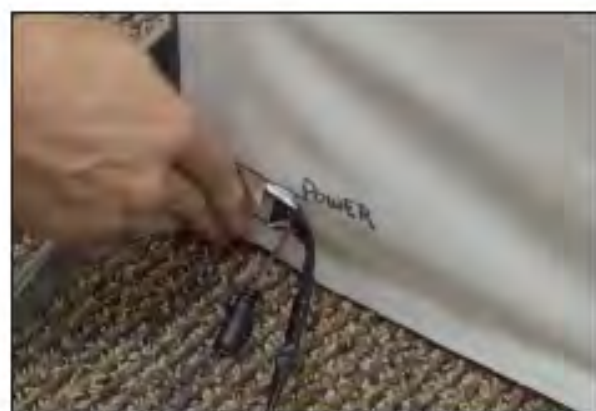
Velcro® the right side and the left side.



Attach with some tension on the bottom.



Peel back the bottom left corner of the backer. Remove LED connector from clip.



Insert LED connector and cord extension through the hole in the backlit liner. Reattach the corner of the backlit liner to the frame.



Connect the LED driver to the LED connector for the bottom row of lights and connect the other LED driver to the cord extension for the top row of lights.



Plug into power strip and turn on.

# 5FT. Lightwall Packing Photo

