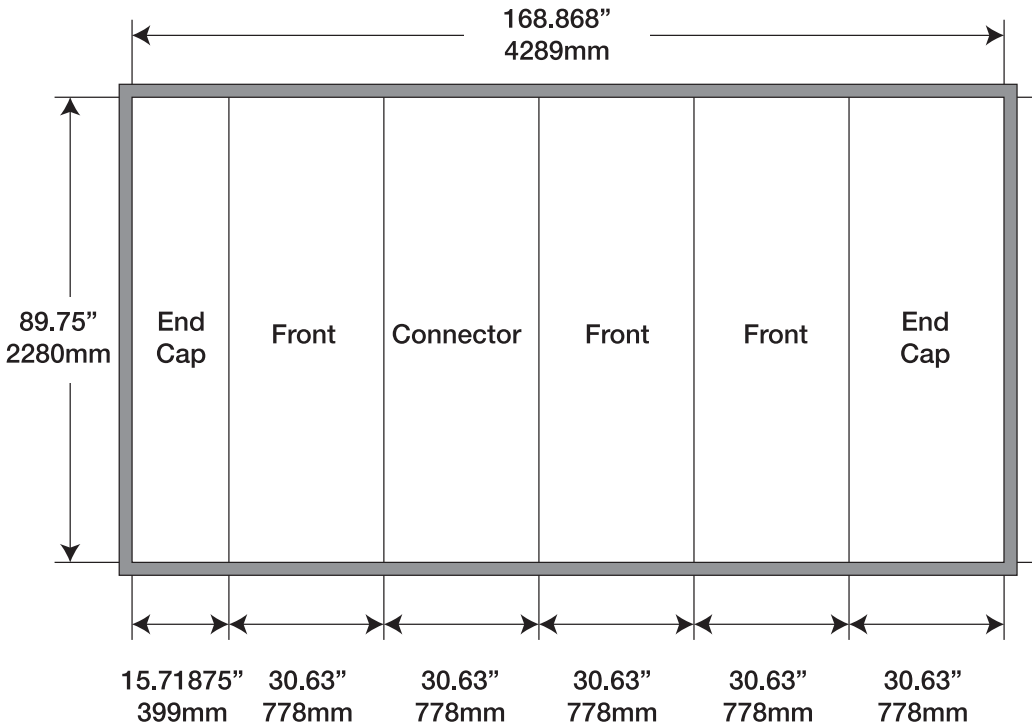


Gemini Kit

Plus Configuration



Minimum Document Size*

(100% with Bleed)
 Width: 170.868" x Height: 91.75"
 4340mm x 2331mm

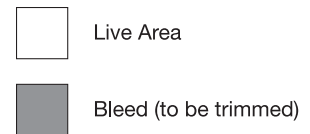
(50% with Bleed)
 Width: 85.434" x Height: 45.875"
 2170mm x 1166mm

(25% with Bleed)
 Width: 42.717" x Height: 22.9375"
 1085mm x 583mm

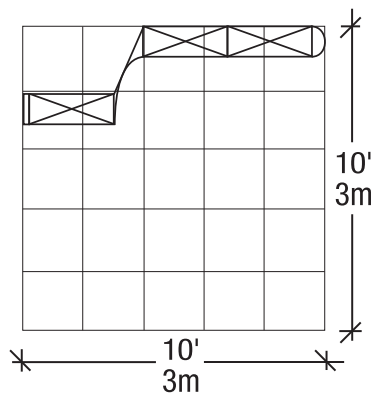
Finished Size

Width: 168.868" x Height: 89.75"
 4289mm x 2280mm

*Your document size should encompass the crops and bleed area.



FLOOR PLAN



ELEVATION

