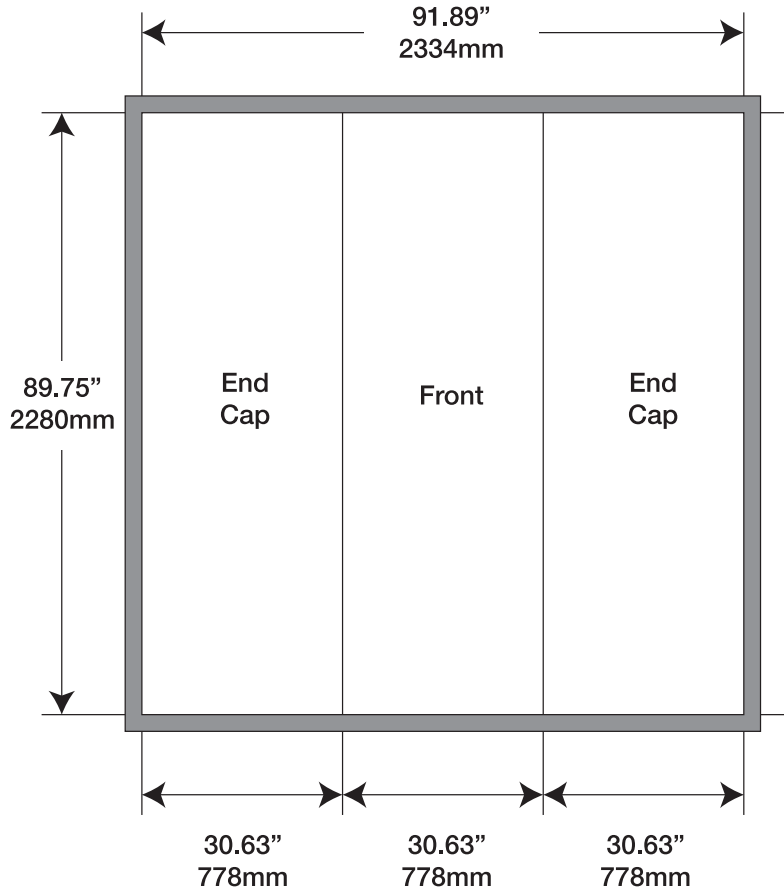


Full Graphic Mural

Plus Configured



Minimum Document Size*

(100% with Bleed)

Width: 93.89" x Height: 91.75"
2385mm x 2331mm

(50% with Bleed)

Width: 46.945" x Height: 45.875"
1192.5mm x 1166mm

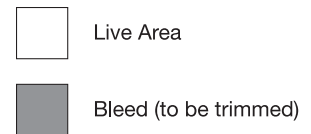
(25% with Bleed)

Width: 23.4725" x Height: 22.9375"
596.25mm x 583mm

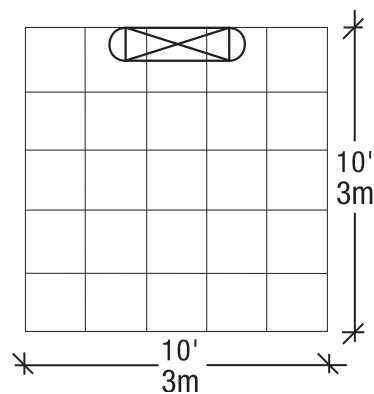
Finished Size

Width: 91.89" x Height: 89.75"
2334mm x 2280mm

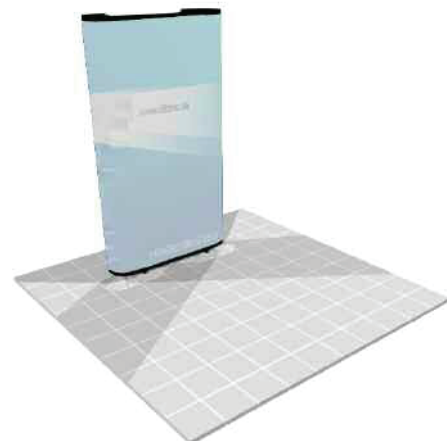
*Your document size should encompass the crops and bleed area.



FLOOR PLAN

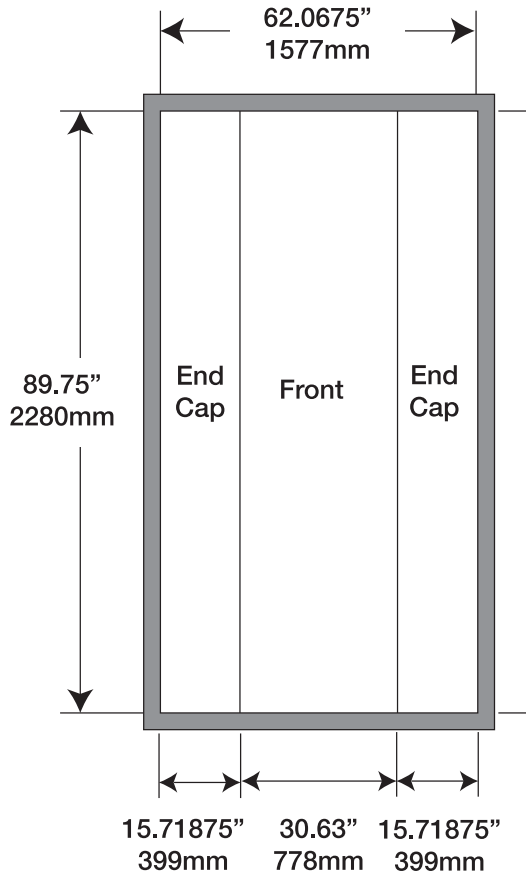


ELEVATION



Full Graphic Mural

Plus Configuration



Minimum Document Size*

(100% with Bleed)
 Width: 64.0675" x Height: 91.75"
 1627mm x 2331mm

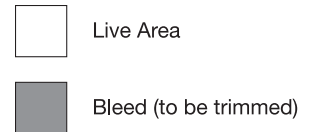
(50% with Bleed)
 Width: 32.0338" x Height: 45.875"
 813.66mm x 1166mm

(25% with Bleed)
 Width: 16.0169" x Height: 22.9375"
 406.83mm x 583mm

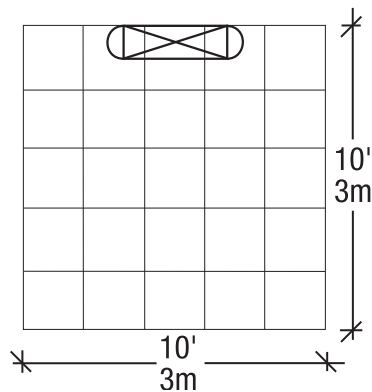
Finished Size

Width: 62.0675" x Height: 89.75"
 1577mm x 2280mm

*Your document size should encompass the crops and bleed area.



FLOOR PLAN



ELEVATION

