

LIVE AREA DOES NOT INCLUDE BLEED

BLEED GUIDELINES

INKJET
1" BLEED ALL AROUND
DYESUB
2" BLEED ALL AROUND
DYESUB POLE POCKET
6.25" BLEED TOP / BOTTOM
AND 2" ON LEFT AND RIGHT

ITEM	QTY.	CODE	DESCRIPTION	GRAPHIC SIZE	BLEED TYPE	LINER	NOTES
A	1	INK-1SQFTDR	t Print - Rigid Detachable, Opaque (1 S	49.41 x 20.47	INKJET		
B	1	KDYESUBTRIW	SuperFab - SEG	105.05 x 87.72	DYESUB		
C	1	KDYESUBTRIW	SuperFab - SEG	9.16 x 87.72	DYESUB		
D	1	KDYESUBTRIW	SuperFab - SEG	105.05 x 87.72	DYESUB		
E	1	KDYESUBSFTP2	Softknit Pillowcase - Prt 2 Sd (1SqFt)	111.72 x 9.84	DYESUB	YES	
F	1	KDYESUBSFTP2	Softknit Pillowcase - Prt 2 Sd (1SqFt)	133.86 x 9.84	DYESUB	YES	
G							
H							
I							
J							

SHEET

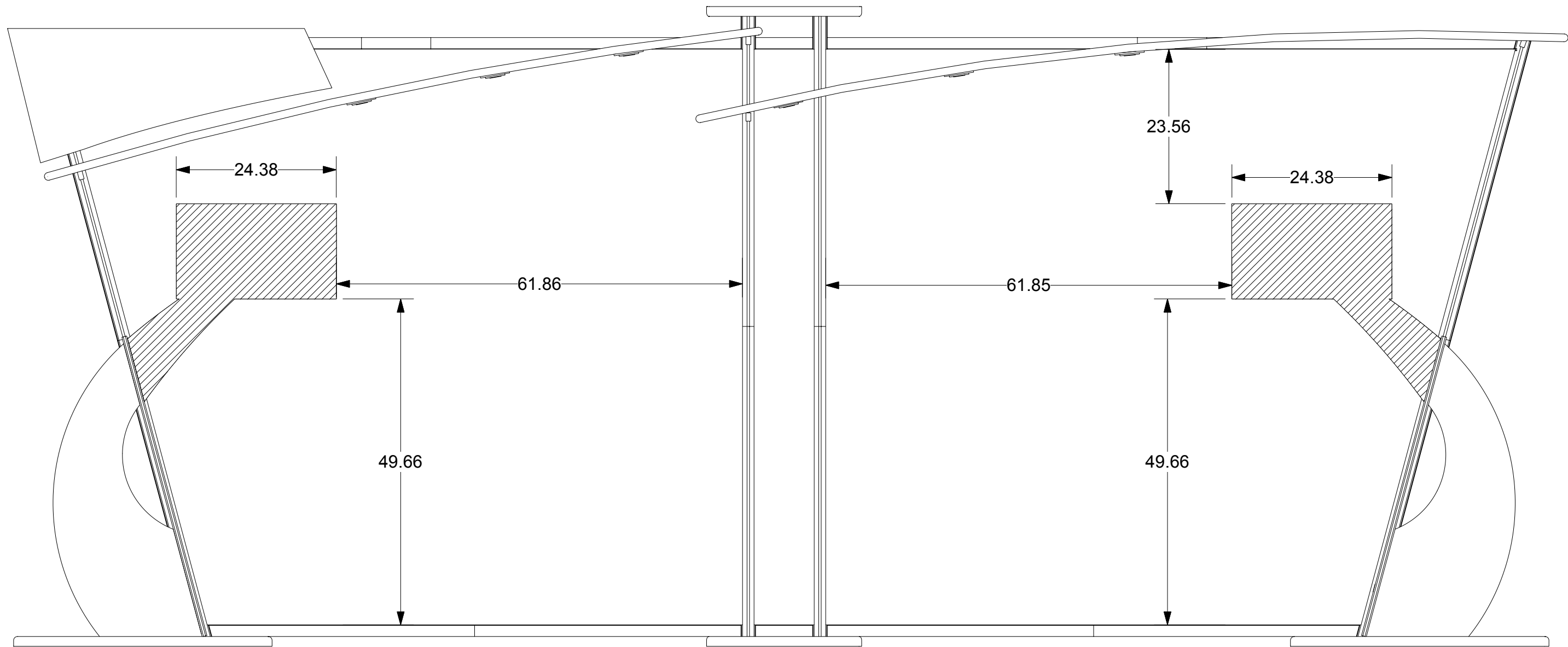
G-1

CLIENT: DL61049N

DISTRIBUTOR: Distributor and Name

DESIGNER: BG DATE: 03/27/20

PROJ. MANAGER: -- DETAILER: --



LIVE AREA DOES NOT INCLUDE BLEED

BLEED GUIDELINES

INKJET
1" BLEED ALL AROUND
DYESUB
2" BLEED ALL AROUND
DYESUB POLE POCKET
6.25" BLEED TOP / BOTTOM
AND 2" ON LEFT AND RIGHT

ITEM	QTY.	CODE	DESCRIPTION	GRAPHIC SIZE	BLEED TYPE	LINER	NOTES
K							
L							
M							
N							
O							
P							
Q							
R							
S							
T							

SHEET

G-2

CLIENT: DL61049N

DISTRIBUTOR: Distributor and Name

DESIGNER: BG DATE: 03/27/20

PROJ. MANAGER: -- DETAILER: --